

產品內容 主機x1(含2T硬碟x1) 攝影機x4 滑鼠x1 15米延長線x2 20米延長線x2 3A電壓器x1 螺絲包x4 束帶1捆
*可加購20米/15米延長線

主機



- 影像輸入- 4組S端子
- 影像輸出- VGA (Max. 1920x1080)
 高清數位(Max. 1920x1080)
- 聲音輸入- 1路輸入
- 聲音輸出- 1路輸出
- 影像壓縮方式- H.265
- 錄影張數- 4CH 5MP @6FPS/CH
 4CH 1080P @15FPS/CH
- 錄影模式- 連續、排程、位移
- 位移偵測- 格線設定，可以設定192(16*12)個檢測區域
- 預先錄影- 1-30秒
- 事後錄影- 10 ~ 300秒
- 顯示模式- 單畫面 / 4分割 / 跳台
- 檔案格式- MP4
- 媒體介面- USB/網路
- 網路回放- 有
- 網路服務- HTTP、DHCP、DDNS、NTP、SMTP、FTP、DNS、
 UPNP、PPPoE、IP權限、IP搜尋
- 儲存硬碟介面- SATA
- 最大支援容量- 單顆最大10TB
- 內部硬碟數量- 1顆
- 乙太網路- RJ-45 *1
- Web 監看- 即時影像，搜尋/回放，備份，更新
- 4G手機監看- iPhone, Android 支援監看(含聲音)及回放
- 操作環境- 攝氏 0 ~ 46度，濕度 20~80%
- 電源- DC 12V / 3A(AC100V~240V 50/60HZ)
- 淨重(總重)- 約0.8kg (不含HDD及Power Adapter)
- 尺寸- 260mm x 215mm x 42mm (長x寬x高)

主機操作

- 前面板操作
 - 每台機器前面板不同，請參考DVR產品硬體說明
- 滑鼠操作說明
 - 在即時監看畫面時按下滑鼠[右鍵]可以開啟快速選單
 - 在主選單選項按滑鼠[左鍵]，可進入所選擇項目的選單
 - 在選單模式按滑鼠[左鍵]，可進入所選擇項目的子選單
 - 在選單中可以按滑鼠右鍵離開該頁面
 - 子選單『設定值』可使用滑鼠點選或虛擬鍵盤來設定其設定值

攝影機

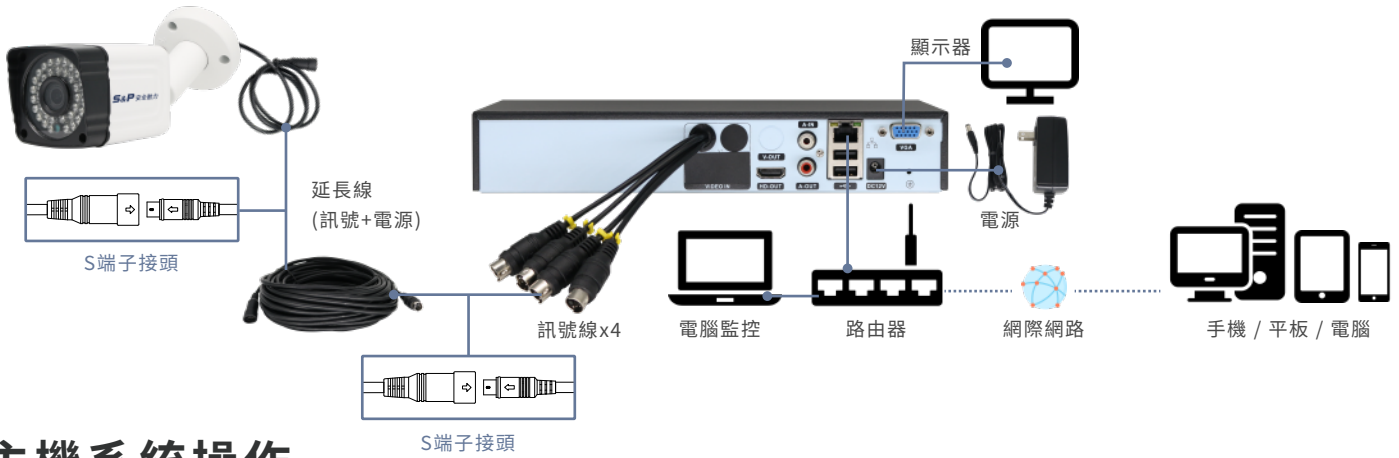


- 影像元件- 1/3" CMOS 影像感應器
- 信號模式- NTSC/PAL
- 視覺角度- 3.6mm
- 有效像素- 1920 (水平) × 1080 (垂直)
- 解析度- 1080P@30fp
- 輸入電壓- DC 12 ± 1V
- ICR- 支援
- 電子快門- NTSC: 1/30~1/10,000 Sec.
 PAL: 1/25~1/10,000 Sec
- 自動白平衡- 自動
- 自動增益- 自動
- 信噪比- ≥50dB
- 日夜轉換- 支援
- 投射距離- 35M
- 最低照度- 0.1 LUX
- 輸出- AHD or CVBS or TVI or CVI
 (出廠設定:AHD 模式輸出)
- 防水防塵等級- IP66
- 工作溫度- -20°C~50°C
- 尺寸 (H×W×D)- 200mm x 63mm x 63mm
- 重量- 大約310g

OSD操作選單

曝光	←.....	亮度/曝光模式
白平衡	←.....	模式
日夜切換	←.....	模式/智能紅外
圖向增強	←.....	對比度/銳度/飽和度/ 3D降噪/2D降噪/DWDR
視頻設置	←.....	模式/制式
語言	《繁體》	
恢復出場設置		
保存退出		
退出		

安裝示意圖



主機系統操作

開機

接上電源，電源指示燈亮，錄影機開機。啟動完畢後會聽到蜂鳴器“滴”的一聲，影像輸出預設值為多畫面輸出模式，若開機啟動時間在錄影設定時間內，系統將自動啟動定時錄影功能，相應通道錄影指示燈亮，系統正常工作。

1. 確定供電的輸入電壓與設備電源的拔位元開關是否對應，確認與電源線接好後，再打開電源開關
2. 外部電源要求請參考DVR硬體規格表。*建議您採用電壓值穩定，波紋干擾較小的電源輸入，在條件允許的情況下儘量使用UPS電源保護

關機

關閉本設備，有軟開關和硬開關。

軟開關，進入【右鍵功能表】>【關閉系統】中選擇【關機】

硬開關，按下前面板上的電源開關鍵或後面板的電源開關即可關閉電源。



1. 登入系統:

在操作設定前，需先輸入使用者名稱後再輸入密碼
帳號：admin

密碼：“預設密碼”位置，會出現六位字元英文+數字密碼。

進入帳戶設定頁面，可自行修改密碼。



2. 主選單：功能介紹如下

- 自動跳台選單
- 備份設定選單
- 組態設定選單
- 系統日誌選單
- 畫面回放選單
- 放大影像畫面，可調整用+/-來放大顯示
- 開啟畫面靜止功能，觀看畫面會靜止不動
- 切換單一畫面
- 切換四分劃畫面
- 切換九分劃畫面
- PTZ與UTC控制功能
- 開啟分割子母畫面



3. DVR選單主要分三個部份，快捷鍵、主選單、組態設定，在畫面上將滑鼠往上移，會出現快捷鍵。(如下圖所示)

- 使用者登出
- 顯示主機型號、版本、MAC碼和P2P UID的資訊
- 呼叫主選單
- 上一頁 (此功能需切換到分割畫面才有作用)
- 下一頁 (此功能需切換到分割畫面才有作用)
- 切換十六分劃畫面
- 點擊忘記密碼圖示後，將圖片提供給購買商，將提供臨時密碼登入
- 點擊後會提示是否關機
- 點擊後會提示是否重新啟動
- 切換單一畫面
- 切換四分劃畫面
- 切換九分劃畫面



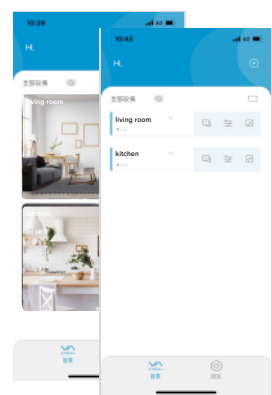
下載【VACRON LINK】APP註冊帳號後，即可登入。



按【+】新增設備進入新增頁面，選擇設備。



填寫設備資料
帳號密碼為主機帳號密碼，非APP帳號密碼。
*UID為主機上的QRcode



新增設備完設備後首頁將出現live畫面。

安全注意選項

*使用本產品之前，請確定您已閱讀下列的安全注意事項。並請確定您操作產品的方法是正確的。

- 請存放本器材於兒童與嬰兒無法觸碰的地方
- 請只使用建議的電源
- 請勿嘗試將產品拆開、改裝或加熱
- 避免產品丟落地上或受猛烈撞擊、避免受傷
- 請勿在產品跌下後或損毀時觸碰產品的內部
- 如產品冒煙、發出異味或有其他異常，請立刻停止操作產品
- 請勿使用有機溶劑，如酒精、苯或油漆稀釋劑清潔產品
- 請勿讓任何液體或異物進入機器
- 請勿將電池置於熱源附近，或暴露於火焰中
- 請勿使用濕手觸碰電源線
- 請勿將本器材用於超出指定電壓的電源插座或線路配件
- 請勿使用損毀的電源線或插頭，或沒有完全插入電源插座
- 請避免端子或插頭接觸到金屬物件(如針或鑰匙)或污漬

Product Information Digital Video Recorder x 1 (2TB HDDs x 1 included) Camera x 4 Mouse x 1 15M extension cable x 2 20M extension cable x 2
 3A power adaptor x 1 Screw pack x 4 Bundle straps x 1 *20M/15M extension cable (optional)

Recorder



- Video Input-** 4CH Input / BNC(1Vp-p 75Ω)
- Video Output-** VGA Resolution
High Definition(HD)
- Audio Input-** 1CH Input
- Audio Output-** 1CH Output
- Video Compression-** H.265
 - Frame-** 4CH 5M @6fps/CH ;
4CH 1080P @15fps/CH ;
- Recording Mode-** Continuous/ Schedule/ Motion
- Motion Detection-** Zones: 192(16x12 grid)
- Pre-Record-** 1-30 sec
- Post-Recording-** 10 ~ 300 sec
- Display Mode-** Single, Quad, Sequence
- File Format-** MP4
- Media Interface-** USB/Network
- Playback-** YES
- Communication Protocol-** HTTP、DHCP、DDNS、NTP、SMTP、FTP、
DNS、UPNP、PPPoE、IP Authority、IP Search
- Storage HDD Interface-** SATA
- Maximum support capacity-** Maximum 10TB HDD
- Internal HDD-** 1 pcs
- Ethernet-** 1*RJ-45
- Web Monitoring-** Live, Search/Playback, Backup,
Remote Setup/Upgrade
- 4G Mobile Phone-** iPhone, Android, Mobile App supports Live video
& audio, and playback.
- Operating Environment-** Temperature 0~46°C, Humidity: 20~80%
- Power-** DC 12V / 3A(AC100V~240V 50/60HZ)
- Weight-** About 0.8kg (without HDD and Power Adapter)
- Dimension-** 260mm x 215mm x 42mm (W x D x H)

Camera



- Pick Up Element-** 1/3" CMOS sensor
- Video System-** NTSC / PAL
- Lens-** 3.6mm
- Number Of Pixel-** 1920 (Horizontal) x 1080(Vertical)
- Horizontal Resolution-** 1080P@30fps
- Power Supply-** DC 12 ± 1V
- ICR-** Support
- Electronic Shutter-** NTSC: 1/30~1/10,000 Sec.
PAL: 1/25~1/10,000 Sec
- White Balance-** Auto
- Gain Control-** Auto
- S/N Ratio-** ≥50dB
- Day Night Auto Switch-** Support
- IR Range-** 35M
- Minimum Illumination-** 0.1 LUX
- OUTPUT-** AHD or CVBS or TVI or CVI
(Default setting: AHD Mode)
- IP Rating-** IP66
- Operating Temperature-** -20°C~50°C
- Dimensions (H×W×D)-** 200mm x 63mm x 63mm
- Weight-** About 310g

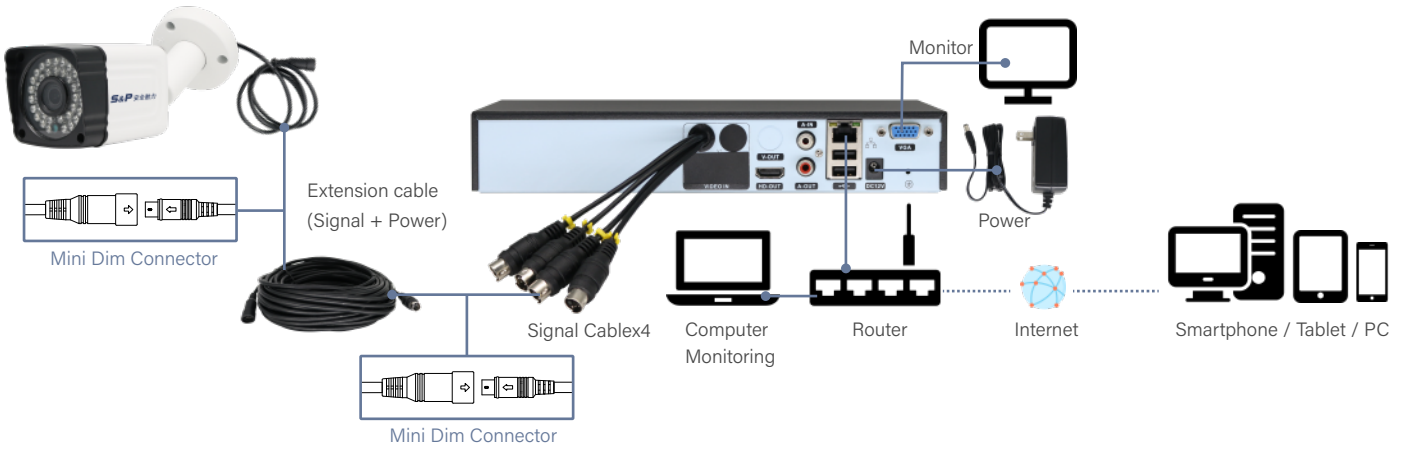
Operation

- Front pannel operation
 - The front panel of each recorder is different; please refer to the DVR product hardware description
- Mouse operation instructions
 - Right click on liveview display to open the Quick menu.
 - Left click on the main menu option to enter the menu of the selected item.
 - Left click on the menu to enter the sub menu of the selected item.
 - Right click on the menu to exit.
 - The submenu "Settings" can be edited using mouse clicks or a virtual keyboard.

OSD operation Menu

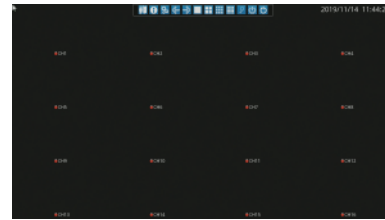
Exposure	←.....	Brightness/Exposure mode
White Balance	←.....	MODE
Day / Night mode	←.....	MODE / SMART IR
Graphical Enhancement	←.....	Contrast/Sharpness/Saturation/
Video setup	←.....	3D/2D noise reduction/DWDR
Language	←.....	NTSC/PAL
Factory default Setting	Tranditional Chinese	
Save / Exit		
Exit		

Installation Diagram



Device System Operation

- **Boot up**
Connect the DVR to a power outlet to power up the DVR (power LED light led up). The DVR makes a "beep" sound and opens a liveview page after booting up is complete. The DVR begins to record if it's within the recording time schedule. The corresponding camera light indicators are led up when the system is working correctly.
 1. Make sure that the input voltage of the power corresponds to the power of the equipment, and then turn on the power after confirming that it is connected to the power cord.
 2. Please refer to the DVR hardware specification sheet for external power requirements. *It is recommended that you use a power input with a stable voltage value and low ripple interference and use a UPS, uninterruptible power supply if permitted.
- **Power off**
Power off device by software and hardware
go to [Right click menu] > [Shutdown system] and select [Shutdown]
Press the power on/off button on the front panel or the power switch on the rear panel to turn on/off the power.



1. Login
Enter username and password before settings
username: admin
password: "Default Password" contains six English alphabets and numbers.
Go to the Account Settings page and you can change your password.

2. Main Menu : The functions are described as follows.
- | | |
|---|-------------------------------|
| Auto Switching Menu :
The functions are described below. | Single display |
| Backup Settings Menu | Quad display |
| Configurations menu | 9 split display |
| System log menu | PTZ and UTC control fuunction |
| Playback menu | Open the PIP screen |
| Use + / - buttons to zoom In / zoom Out images | |
| Turn on the screen freeze function, monitoring screen will be still | |

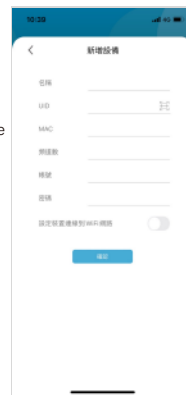
3. There are three main sections in the DVR main menu: shortcut keys, main menu, and configuration. Move the mouse cursor to the top of the screen to get the main menu. (As diagram shown below)
- | | | |
|---|---|--|
| User logout | Next Page
(This function only works on multi-screen mode.) | 16-split display |
| Display model number, version, MAC code and P2P UID information | Single display | Click and confirm to shutdown the DVR |
| Main Menu | Quad display | Click and confirm to restart the DVR |
| Previous Page
(This function only works on multi-screen mode.) | 9-split display | Click on the Forgotten Password icon and provide the image to the manufacturer, and a temporary password will be provided for login. |



Downloading [VACRON LINK] app to register your account and login.

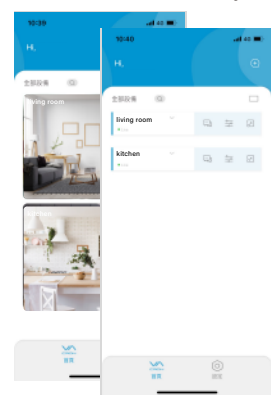


Press [+] button to enter Add Device page to select a device.



Fill in the equipment information. The account password is the host account password, not the smartphone app account password.

*UID is the recorder's QR code.



The live screen will appear on the home page after the new device is set up.

Safety Precautions

*Before using this product, please make sure you have read the following safety precautions. And please make sure you correctly operate the product.

- Please keep this equipment out of the reach of children and babies.
- Please use only the recommended power source.
- Do not attempt to disassemble, modify or heat the product.
- Avoid dropping products on the ground or being hit hard to avoid injuries.
- Do not touch the inside of the product after it has been dropped or when it is damaged.
- If the product emits smoke, odor or other abnormalities, please stop operating the product immediately.
- Do not use organic solvents such as alcohol, benzene or paint thinner to clean the product.
- Do not allow any liquid or foreign objects to enter the machine.
- Do not place the battery near a heat or expose it to flame.
- Do not touch the power cord with wet hands.
- Do not touch the power supply with wet hands. Do not use this device on power outlets or cable accessories that exceed the specified voltage.
- Do not use a damaged power cord or plug, or one that is not fully plugged into an electrical outlet.
- Avoid contact with metal objects such as pins or keys, or stains on the terminals or plugs.